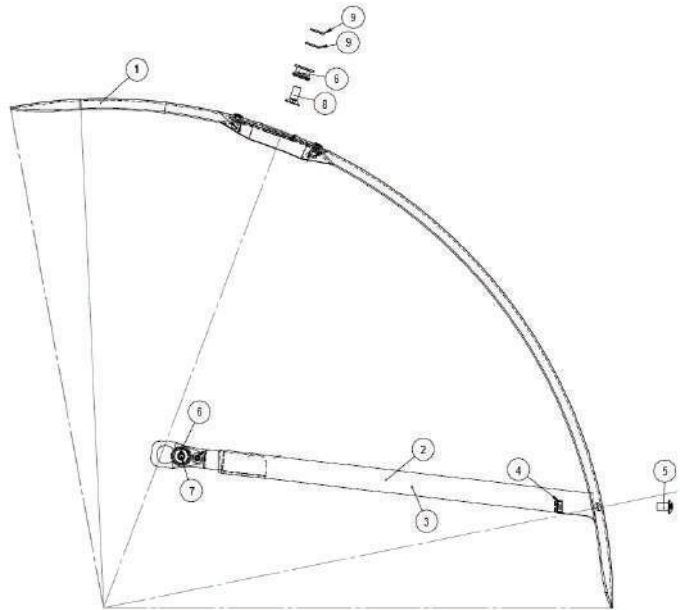


## FITTING INSTRUCTIONS:

Removeable Fender for  
alpenchallenge AC01

**front fender**



Item Number	Description	Quantity
1	Front Fender Alpenchallenge	1
2	Stay Front Right	1
3	Stay Front Left	1
4	M5 Nyloc Self Locking Nut	2
5	Bolt M5 x 8 Button Head	2
6	Snap Lock	3
7	M5 x 12 Countersunk	2
8	M5 x 20 Countersunk	1
9	M5 Washer	3

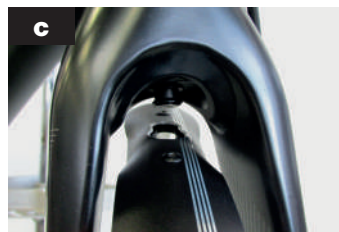
**a** Tighten and fix the stays (2 + 3) to the front fender (1) using the screws and bolts (4).



**b** Fit the tow snap lock bolts (6) with the screws (7) to the inside of the fork leg.



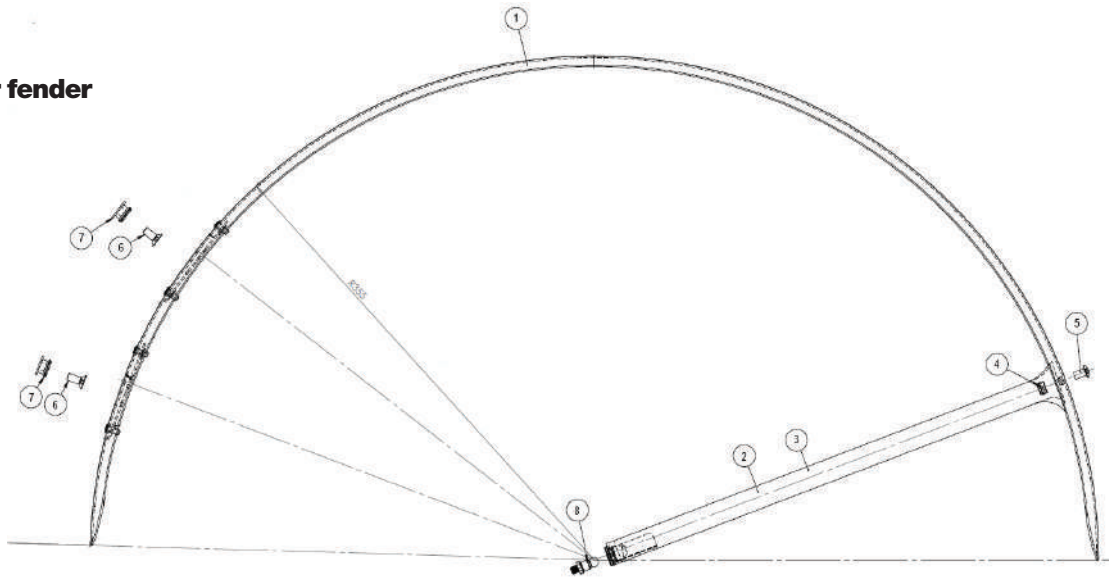
**c** Fit the snap lock bolts (6) with the screws (8) and the washer (9) to the underside of the fork crown.



**d** The fender can then be fitted to the snap lock bolts and also easily removed.

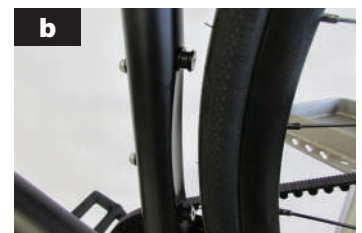


**rear fender**



Item Number	Description	Quantity
1	Rear Fender Alpenchallenge	1
2	Stay Rear Left Black	1
3	Stay Rear Right Black	1
4	M5 Nyloc Self Locking Nut	2
5	Bolt M5 x 8 Button Head	2
6	M5x20 Countersunk	2
7	Snaploc Kupplung	2
8	Bollhoff M5x5	2

**a** Tighten and fix the stays (2 + 3) to the rear fender (1) using the screws and bolts (4).



**b** Fit the two snap lock bolts (7) with the screws (6) to the inside of the seat tube.

**c** Fit the Ball head bolt (8) to the rear dropouts.



**d** The fender can then be fitted to the snap lock bolts and ball head bolts and just as easily removed.

