

RAD Seatpost

Bushing Replacement Manual



BUSHING REPLACEMENT MANUAL

INDEX

Contents

1. Tools

2. Bushing Removal

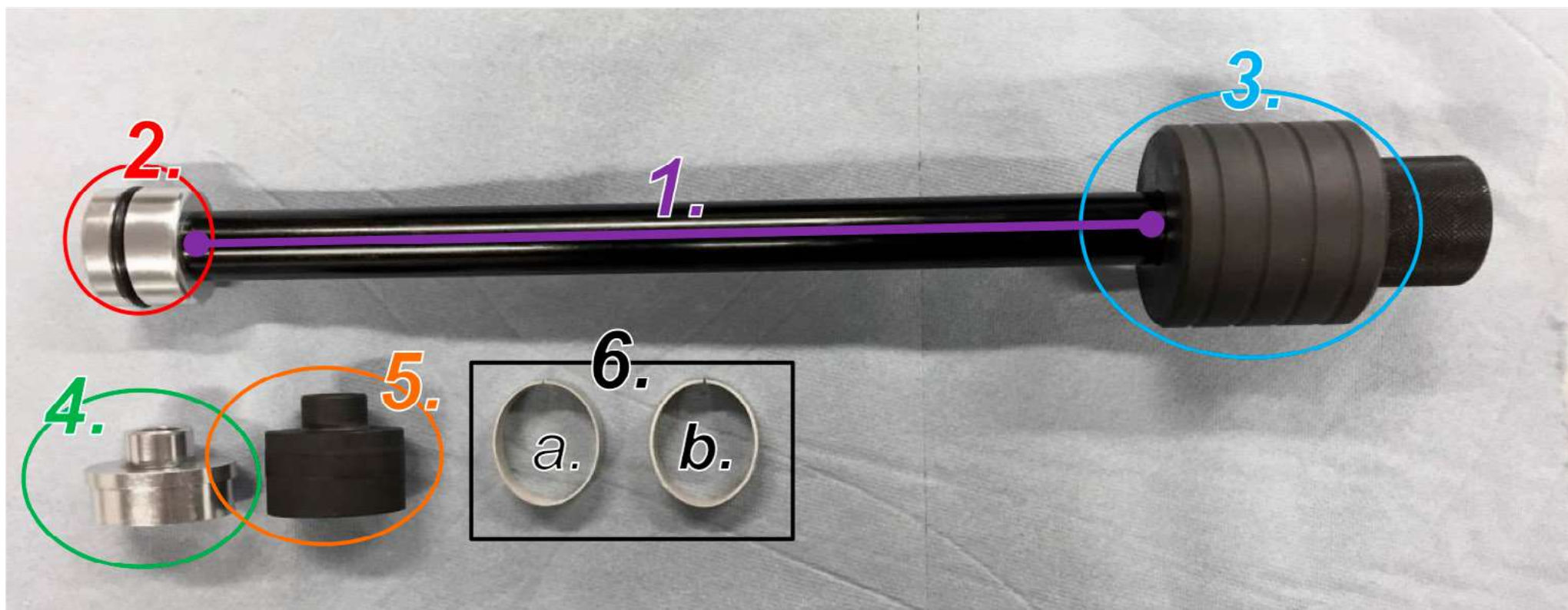
3. Bushing Installation

4. Bushing Calibration

5. Function Test

1. Tools

Bushing Installation & Calibration Tool (RAD & Trailsync seatposts):
Part nr: 301288



1. Dropper Post Tool

2. Removal Tool

3. Slider Hammer

4. Installation Tool

5. Calibration Tool

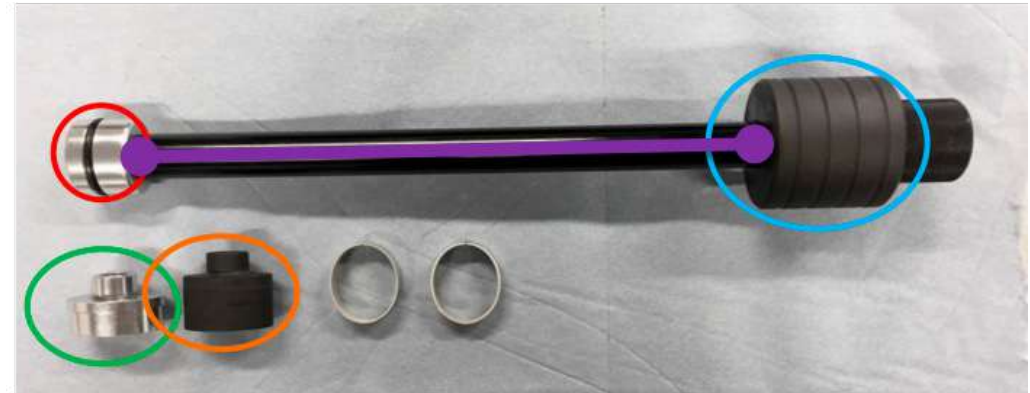
6. Bushings

a. Lower Bushing

b. Upper Bushing

2. Bushing Removal

1. In order to perform this operation you will need to install the **Removal Tool** on the **Dropper Post Tool**, along with the **Integrated Slider Hammer**.
The Removal Tool is composed of two pieces that compress an o-ring.
Make sure the o-ring is **NOT** compressed when installing the Removal Tool on the Dropper Post Tool.



Dropper Post Tool

Removal Tool

Slider Hammer

2. Slide the **Dropper Post Tool** with the Removal Tool into the seat tube and position the o-ring below the bushing you want to remove.

IMPORTANT NOTE:

Always remove the Upper Bushing first!

The Lower Bushing can only be removed after the Upper Bushing has been removed, making space for the removal of the Lower Bushing.



2. Bushing Removal

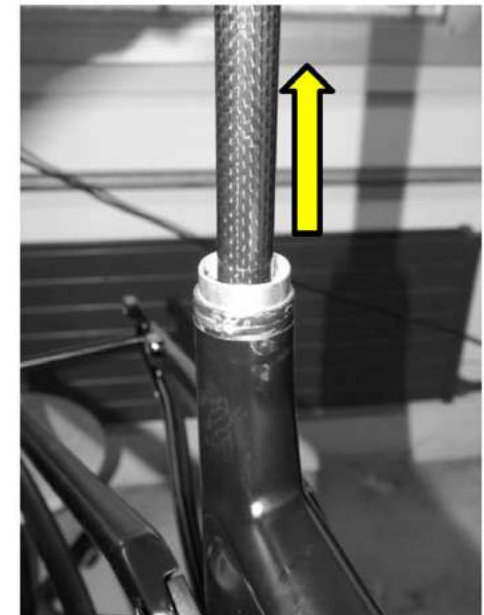
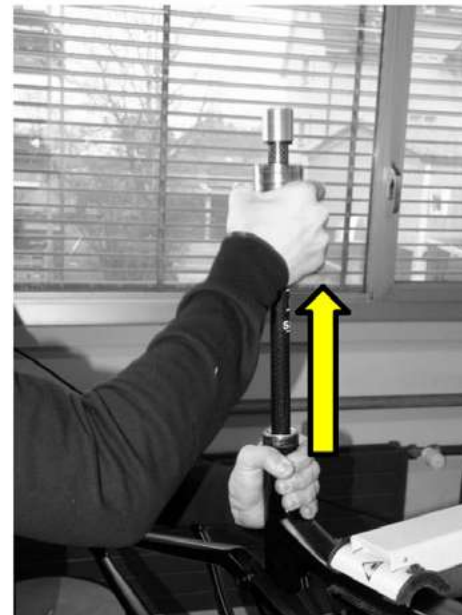
3. Turn the Upper Knob while holding the **Dropper Post Tool** clockwise to tighten the **Removal Tool**.



4. Tap the **Slide Hammer** against the top of the **Upper Knob** to pull the bushing out.

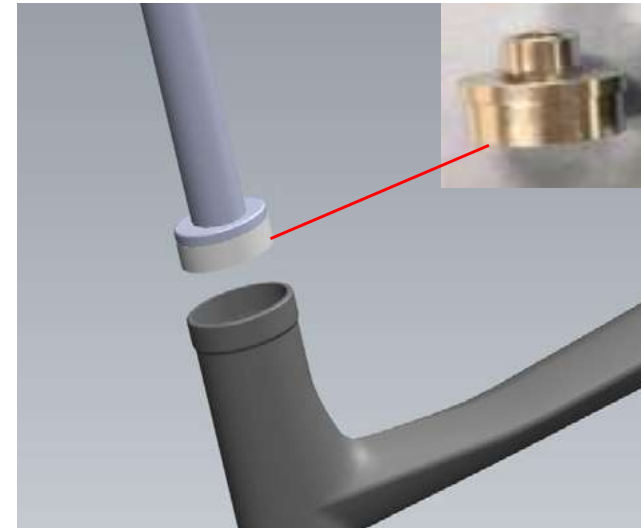


5. Repeat the operation for both bushings



3. Bushing Installation

1. In order to perform this operation you will need to use the **Installation Tool** after installing it on the **Dropper Post Tool**

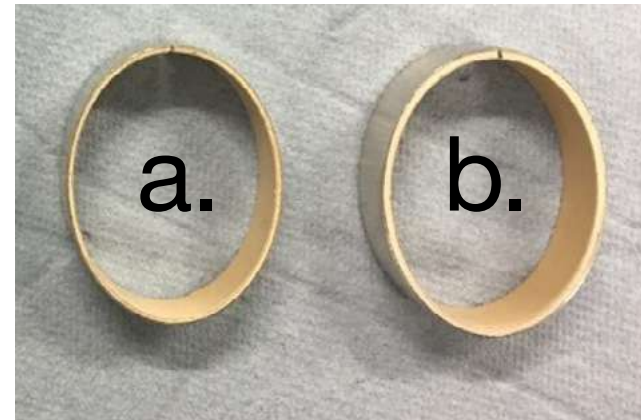


IMPORTANT NOTE:

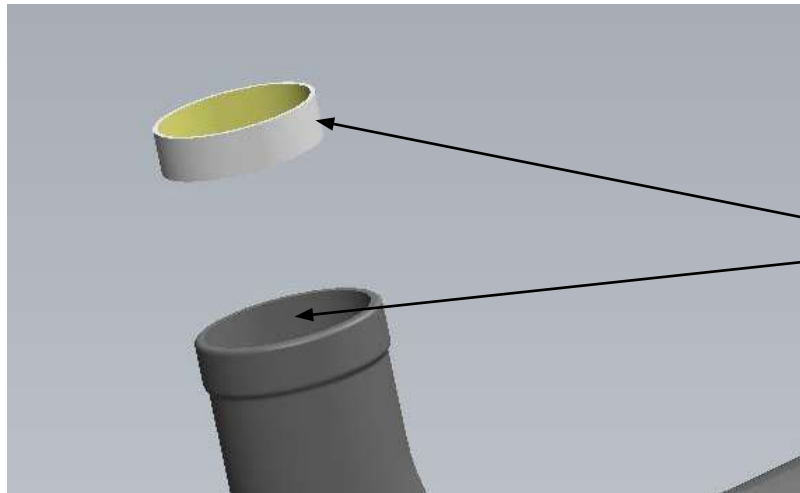
Lower and Upper bushings have different dimensions

- a. Thinner Lower bushing
- b. Thicker Upper bushing

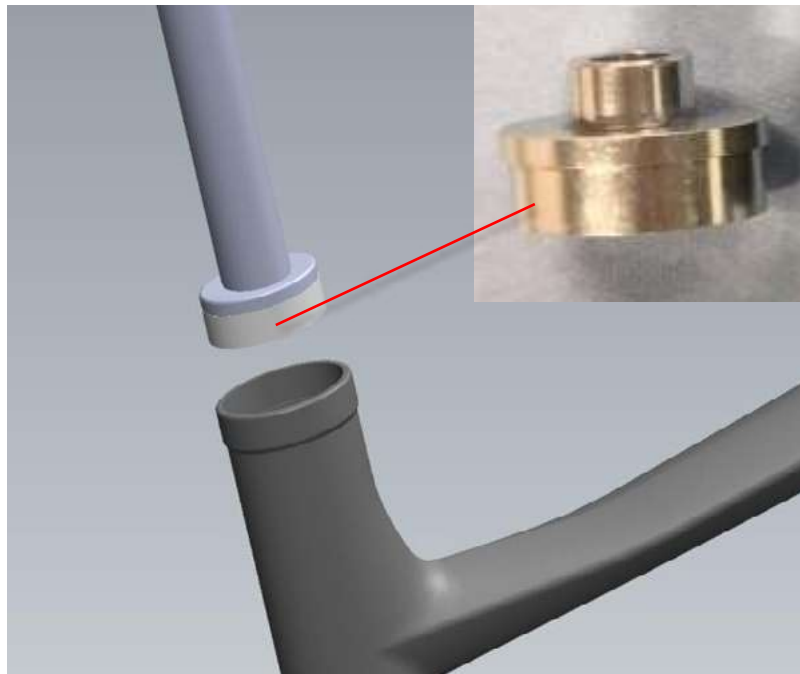
Make sure the seat tube has been thoroughly cleaned before installing the bushings



3. Bushing Installation (Lower Bushing)

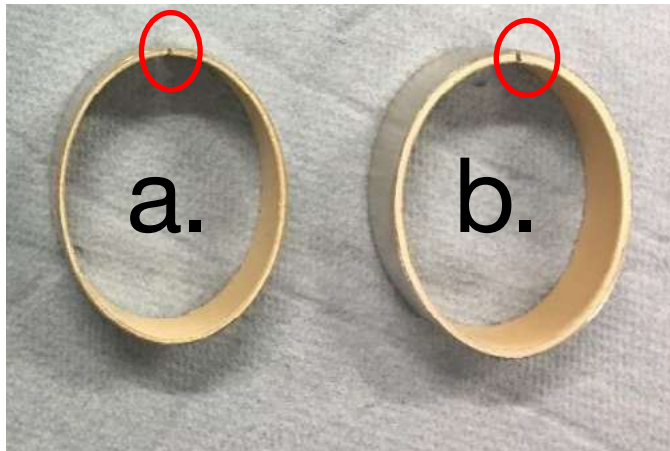


Apply grease on the bushing's outer surface AND the seat tube inner surface



Place the Lower (Thinner) bushing over the oval installation tool

3. Bushing Installation (Lower Bushing)



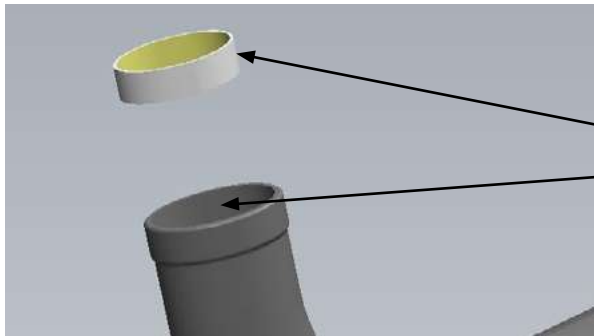
Make sure the lower bushing (thinner) is positioned with the slot pointing to the back of the frame

- a. Lower Bushing (thin)**
- b. Upper Bushing (thick)**

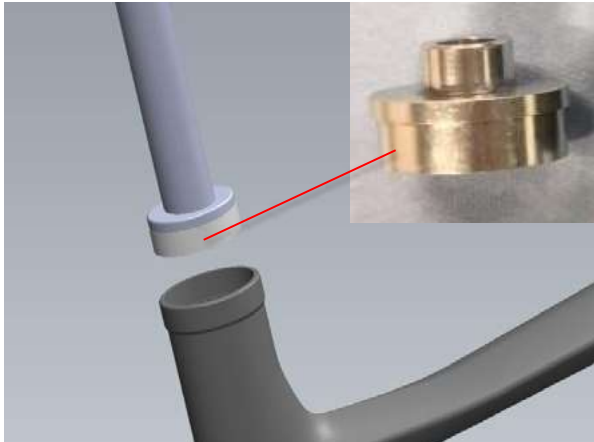


Press the bushing carefully in by tapping with a rubber hammer until it stops at the lower bushing seat. You will feel a different noise when the bushing is positioned correctly.

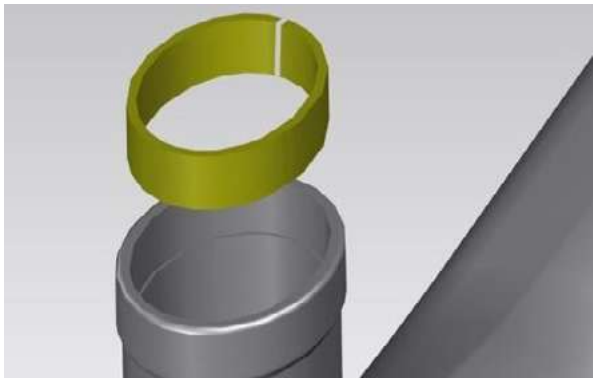
3. Bushing Installation (Upper Bushing)



Apply grease on the bushing's outer surface and the seat tube inner surface



Place the Upper (Thicker) bushing over the oval installation tool

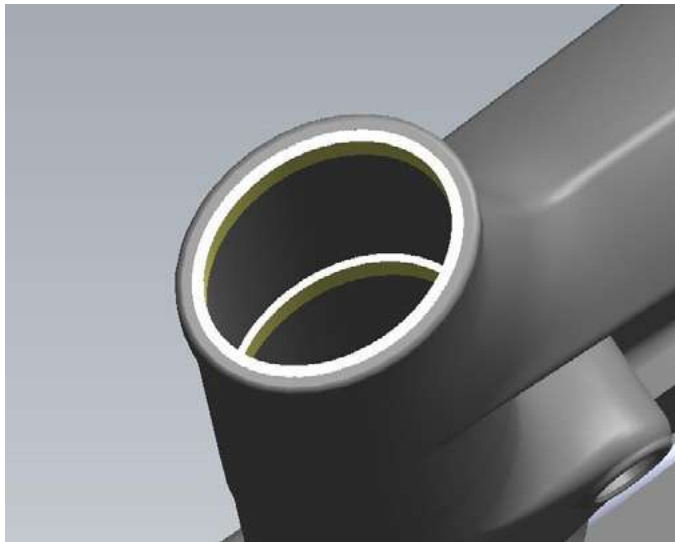


Make sure the bushing is positioned with the slot pointing to the front of the frame

3. Bushing Installation (Upper Bushing)



**Press the bushing carefully in until it sits flush with the end of the seat tube.
You can again use a rubber hammer to tap the tool.**



Inspect visually if the bushing is in the right position and not damaged

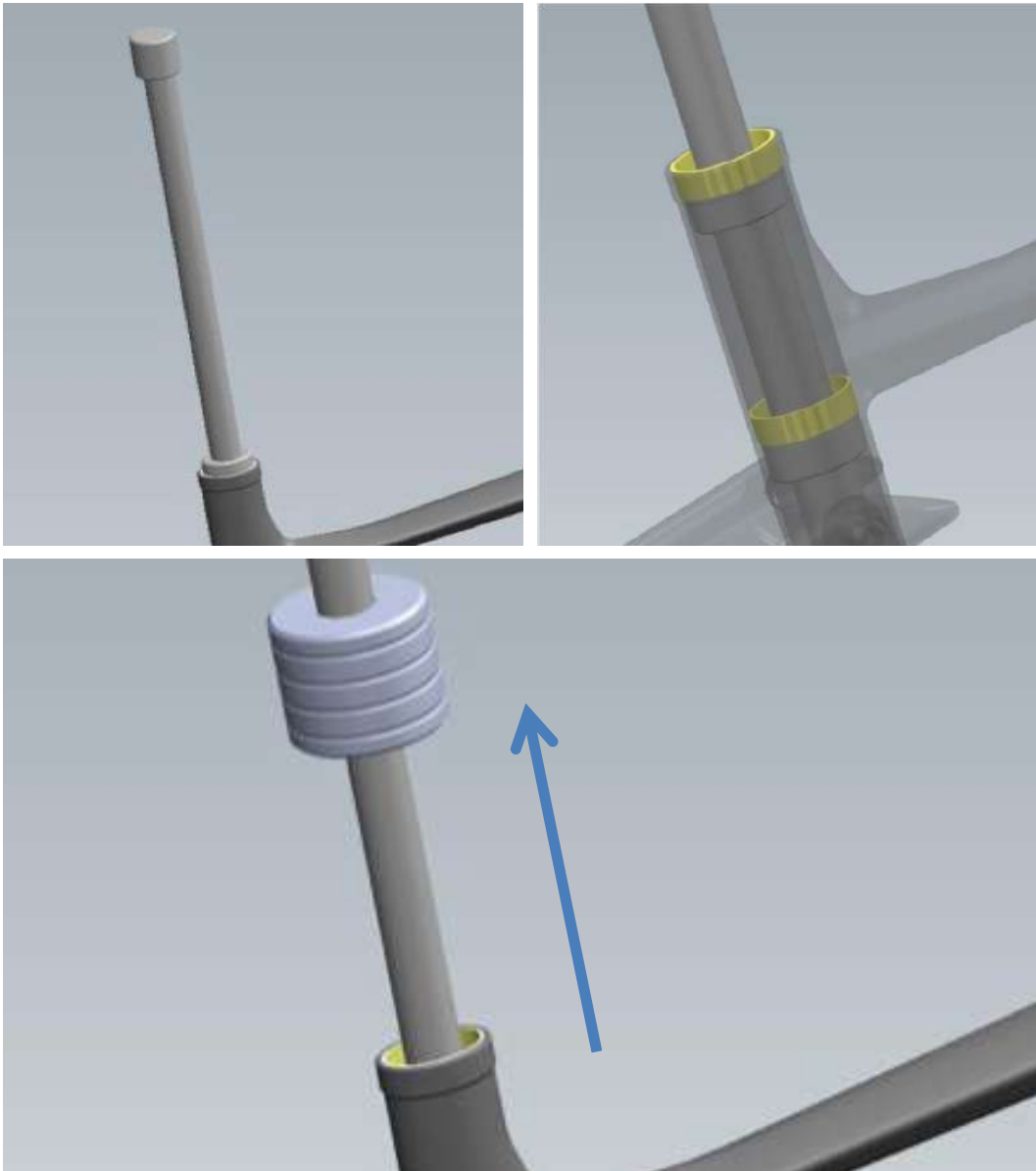
4. Bushing Calibration

In order to perform this operation you will need to use the **Calibration Tool** after installing it on the **Dropper Post Tool**

Add grease to the Calibration tool outer surface and Slide the Dropper Post Tool tool into the seat tube until the Calibration Tool is aligned with the Upper Bushing



4. Bushing Calibration



Push the Calibration Tool down by tapping with a rubber hammer carefully until it goes through the Upper and Lower bushings

Upper and Lower bushings get automatically calibrated in the process

Gently tap the Slide Hammer to carefully remove the Calibration Tool from the seat tube

Tip: Bushing calibration is not a mandatory step, it should be performed only in case the post doesn't slide properly. Skipping the calibration procedure achieves a tighter fit between seatpost and bushings.

5. Function Test

1. Install the RAD seatpost and check function.

Please note that RAD features a built-in air brake designed to slow down the extension of the post in the last part of the travel; a “stepped” extension is therefore not to be considered as a malfunction.

[Link to RAD Technical Manual](#)

[Link to RAD Seatpost maintenance](#)

2. Check the RAD seatpost’s functionality

3. **Repeat bushing calibration if the seatpost does not extend smoothly**

